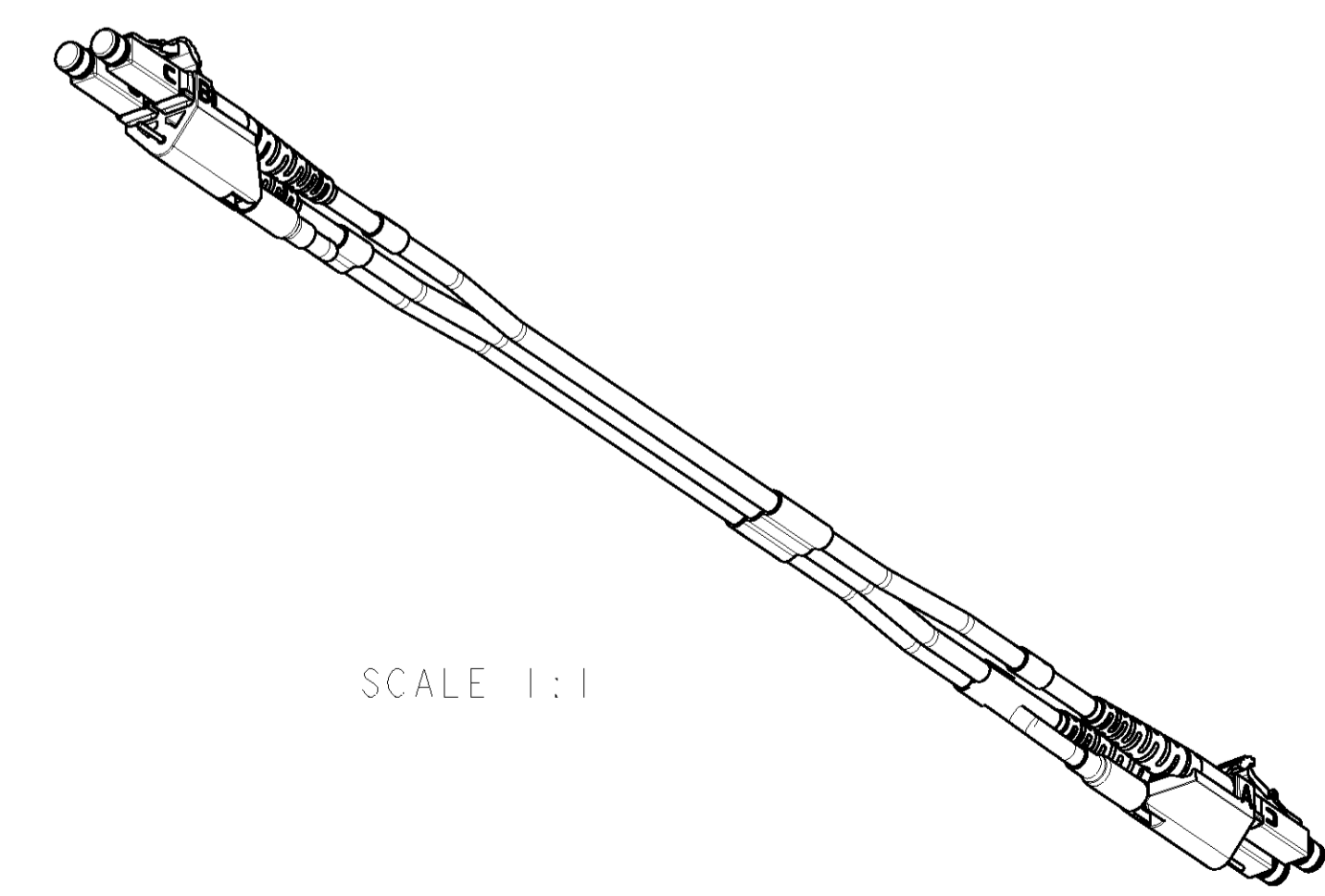
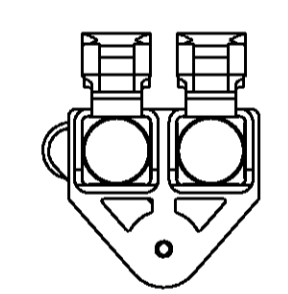
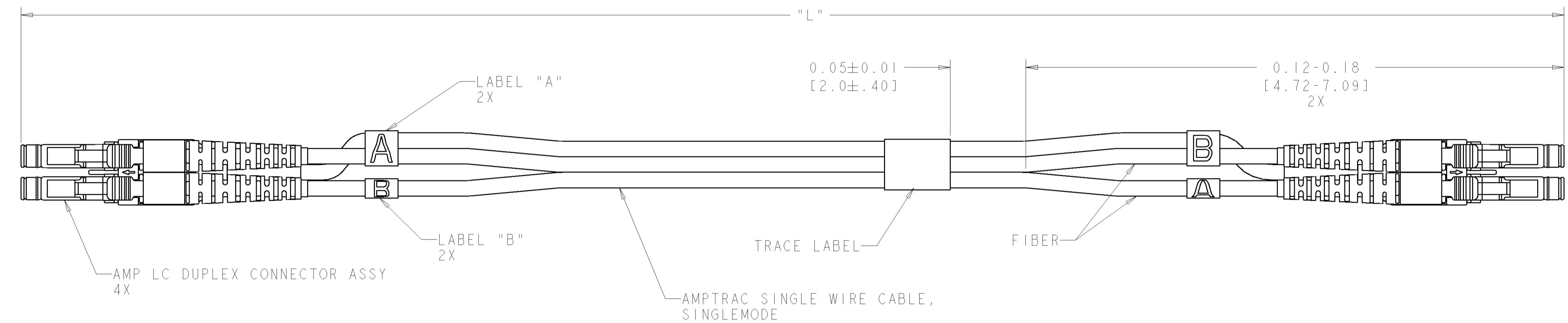


CONNECTOR LOSS (dB)	"L" METERS [INCHES]	PART NUMBER
.52	10.0±.15 [393.7±6]	1-1435790-0
.52	7.0±0.08 [275.6±3]	1435790-7
.51	5.0±.08 [196.9±3]	1435790-5
.50	4.0±.05 [157.5±2.0]	1435790-4
.50	3.0±.05 [118.1±2.0]	1435790-3
.50	2.0±.05 [78.7±2.0]	1435790-2
.50	1.0±.05 [39.4±2.0]	1435790-1

LOC	DIST	REVISIONS				
		P. LTR	DESCRIPTION	DATE	DWN	APVD
HM	00	A	ECR-05-002641	31MAY2005	JM	MD
		B	ADD: -4; ECO-08-001196	15JAN2008	GG	DC



SCALE 1:1

▲ DIMENSIONS IN [ ] ARE IN INCHES.  
 ▲ MAXIMUM CONNECTOR LOSS IS EQUAL TO .50 dB PLUS CABLE ATTENUATION.

<small>THIS DRAWING IS UNPUBLISHED. IT IS SUBJECT TO CHANGE FOR PROPELLER AND CONSTRUCTION ORGANIZATION WITHOUT NOTICE FOR THE LATEST POSITION.</small>		DWN J MCNEAL 31MAY2005 CHK L SMITH 31MAY2005 APVD M DELPHIAS 31MAY2005	Tyco Electronics Harrisburg, PA 17105-3608
DIMENSIONS: METERS TOLERANCES UNLESS OTHERWISE SPECIFIED: 9 PLC ± 8 PLC ± 5 PLC ± 4 PLC ± ANGLES ±	FINISH	NAME CABLE ASSY FIBER OPTIC, AMPTRAC LC TO LC, DUPLEX, XG, 50um, MM PRODUCT SPEC APPLICATION SPEC WEIGHT CUSTOMER DRAWING	SIZE CAGE CODE DRAWING NO RESTRICTED TO A 100779 C-1435790 SCALE 2:1 SHEET 1 OF 1 REV B